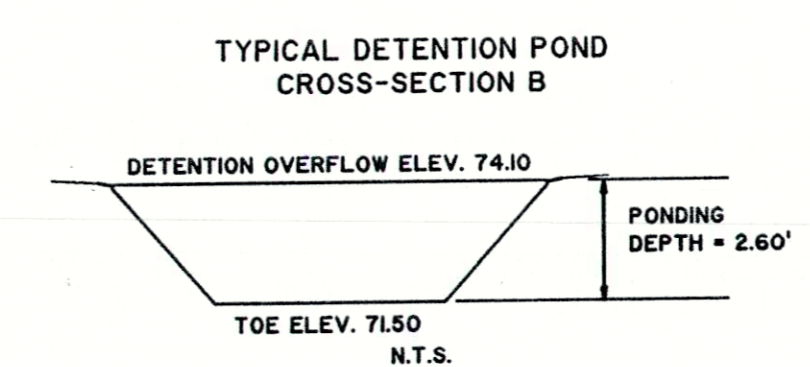
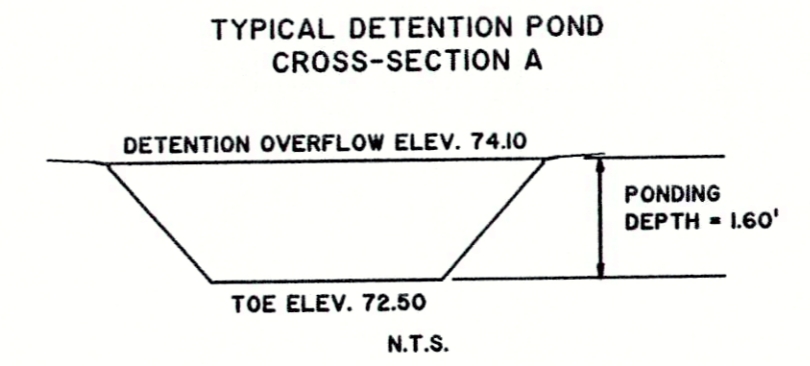
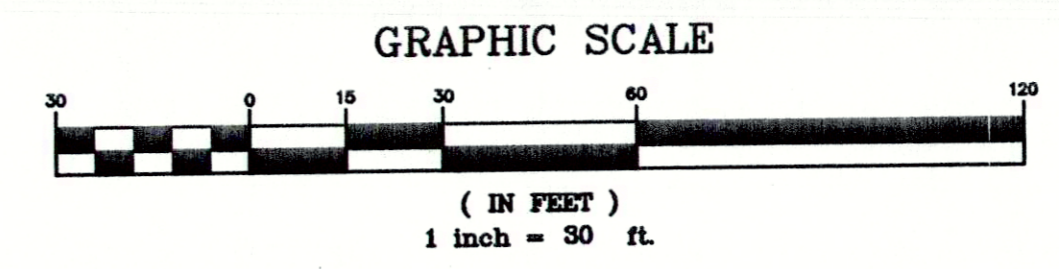
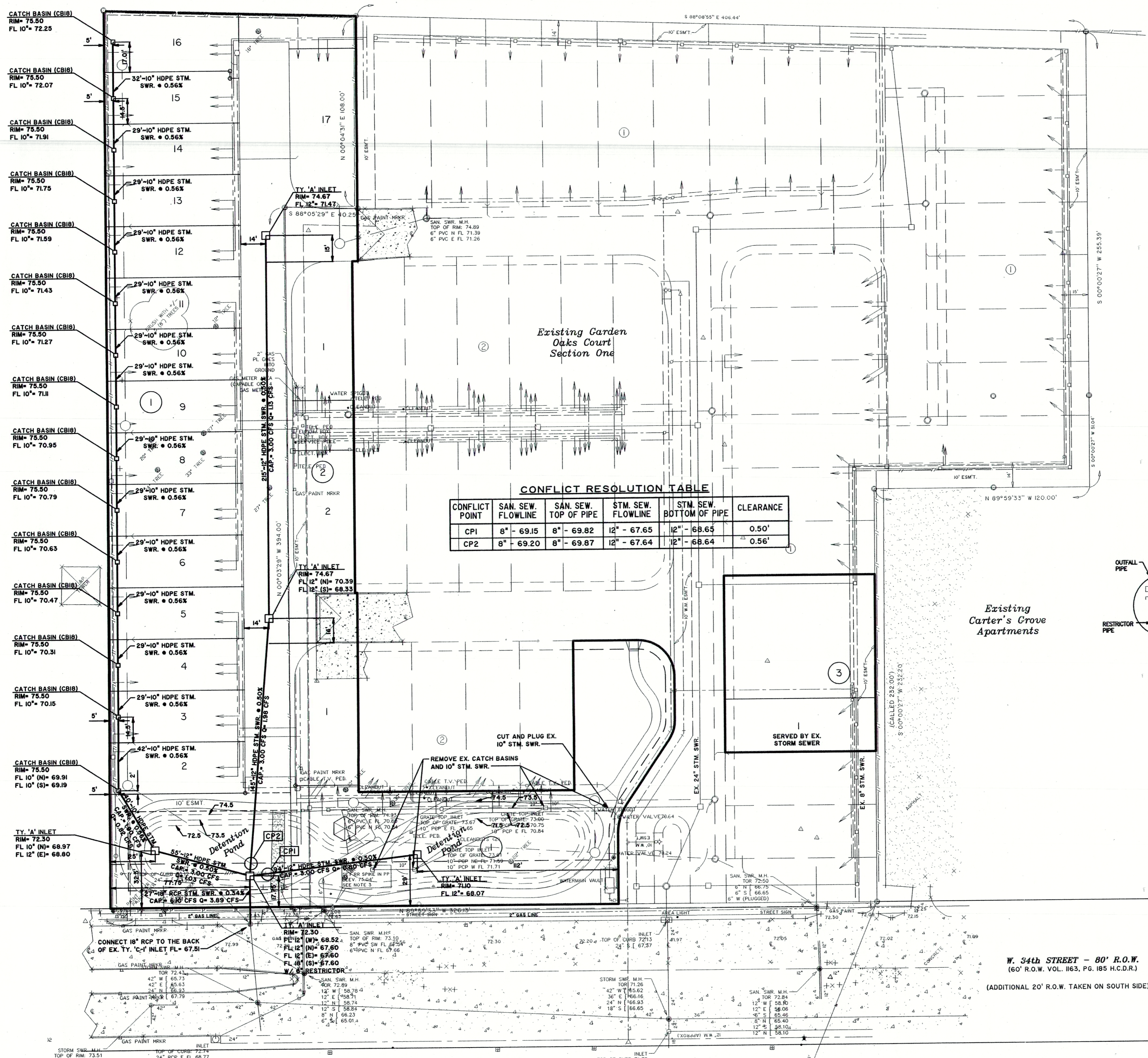


CALLED 57' WIDE EASEMENT HOUSTON LIGHTING AND POWER COMPANY

SET 'T' ON SW LEG OF H.L.P. TOWER ELEV. 75.96 SEE NOTE 3

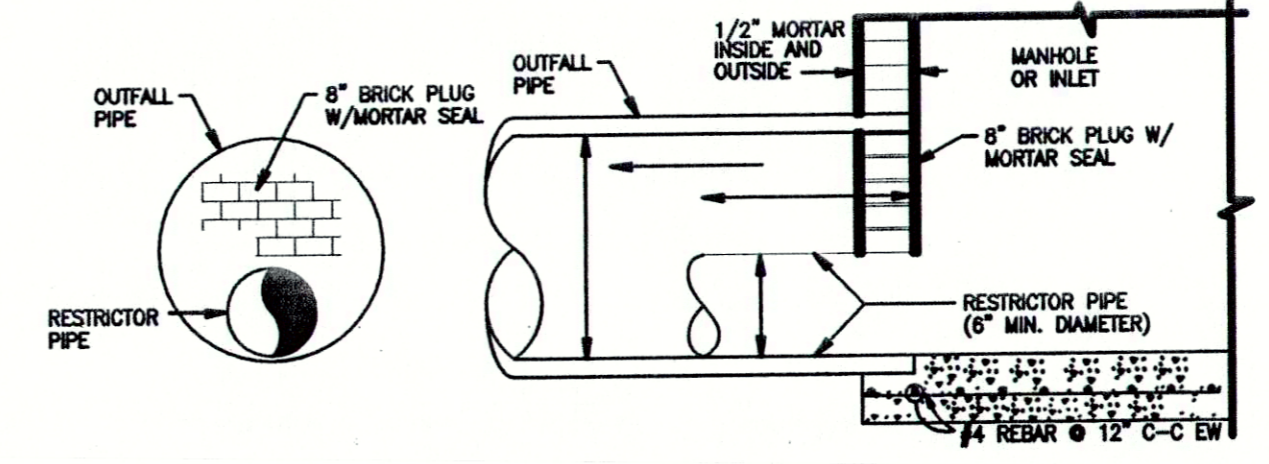
**BENCHMARK:**  
PROJECT BM:  
CITY OF HOUSTON SURVEY MARKER 5259/1413  
ELEV. = 69.93'

**FLOOD PLAIN:**  
TSARP INFORMATION:  
THIS PROJECT LIES WITHIN UNSHADED ZONE "X"  
PER PRELIMINARY TSARP MAPPING FLOOD  
INSURANCE RATE MAP PANEL NO. 48201C0660L  
DATED SEPTEMBER 30, 2004.



**CONFLICT RESOLUTION TABLE**

CONFLICT POINT	SAN. SEW. FLOWLINE	SAN. SEW. TOP OF PIPE	STM. SEW. FLOWLINE	STM. SEW. BOTTOM OF PIPE	CLEARANCE
CPI	8" - 69.15	8" - 69.82	12" - 67.65	12" - 68.65	0.50'
CP2	8" - 69.20	8" - 69.87	12" - 67.64	12" - 68.64	0.56'



**DETENTION ANALYSIS**

**PROPOSED IMPERVIOUS COVERAGE**

REDEVELOPED SITE AREA	=	1.5295	AC
EXIST IMPERVIOUS COVER	=	- 0.4660	AC
PROPOSED GREEN SPACE	=	- 0.3059	AC
TOTAL INCREASED IMPERVIOUS COVER	=	0.7576	AC

**STORAGE REQUIREMENT**

0.7576 AC x 0.50 AC. FT. / AC.	=	0.379	AC FT
	=	16,500.53	CF

**STORAGE PROVIDED**

STORAGE IN DETENTION POND

OVERFLOW WIER ELEV. = 74.10  
TOE ELEV. = 71.50-72.50 DEPTH = 1.60-2.6 FT

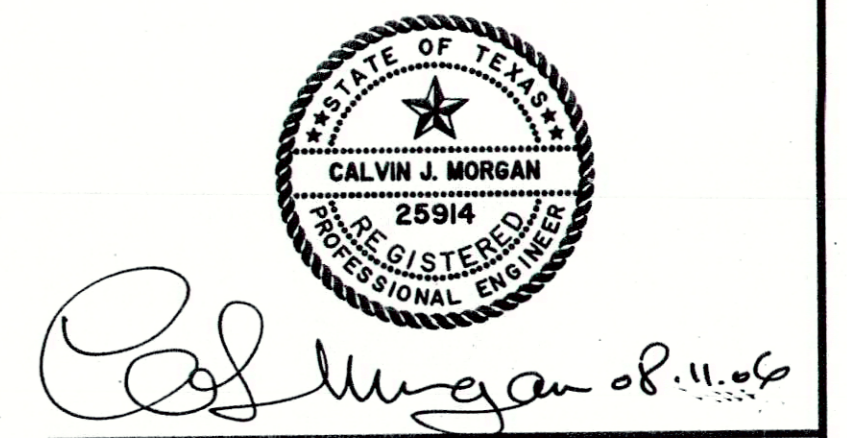
TOTAL STORAGE = 16,956 CF

**RESTRICTOR PIPE SIZING**

AREA = 1.5295 AC  
DISCHARGE RATE 1.5295 AC x 0.50 CFS/AC = 0.765 CFS  
MAXIMUM PONDING ELEVATION (WATER SURFACE ELEVATION) = 74.10  
FLOW LINE OF RESTRICTOR STRUCTURE = 67.60  
h = 74.50' - 67.60' = 6.90'  
D = 0.765' / (2.25 x 6.50')  
D = 0.24 FT. = 2.92 in → USE 6"

- LEGEND**
- PROPOSED TY. 'C' STM. SWR. MH. OR JUNCTION BOX
  - PROPOSED TY. 'B' INLET
  - PROPOSED CATCH BASIN / JUNCTION BOX / TY. 'A' INLET
  - EXISTING STORM SEWER, MANHOLE AND INLETS

- GENERAL NOTES**
- ALL UNDERGROUND UTILITY ARE BASED ON THE BEST AVAILABLE INFORMATION. THE CONTRACTOR SHALL VERIFY EXACT UTILITY LOCATIONS PRIOR TO ANY CONSTRUCTION. CONTRACTOR SHALL CALL THE TEXAS ONE CALL SYSTEM AT 1-800-245-4545 PRIOR TO ANY EXCAVATION.
  - STORM SEWER PIPE SHALL BE TYPE "S" CORRUGATED HIGH DENSITY POLYETHYLENE PIPE (HDPE) SMOOTH FLOW WITH RUBBER GASKETS, SCH. 40 PVC, SDR-26 PVC, C-900 PVC, OR REINFORCED CONCRETE PIPE (C-76, CLASS III) AS NOTED.
  - CONTRACTOR SHALL ADJUST, IF NECESSARY, ALL INLET GRATES FLUSH WITH GRADE.
  - CONTRACTOR SHALL USE CONTROLLED CONSTRUCTION METHODS WHILE WORKING AROUND OR NEAR EXISTING TREES.
  - ALL CATCH BASINS AND JUNCTION BOXES SHALL BE TRAFFIC LOADING GRADE.



**REVISIONS**

NO.	DATE	DESCRIPTION

**Carter-Burgess**  
Consultants in Planning, Engineering, Architecture,  
Construction Management and Related Services  
CARTER & BURGESS, INC.  
55 WAUGH DRIVE, SUITE 300  
HOUSTON, TX 77007-5842

**CITY OF HOUSTON**  
GARDEN OAKS COURT PARTIAL REPLAT AND  
EXTENSION NO. 1 SITE IMPROVEMENTS

**PRIVATE STORM SEWER LAYOUT**

SCALE: 1" = 30'  
PROJ. NO. 030784.0501.000

DESIGNED: N.L.R.	DATE: JULY, 2006	SHEET: 6 of 15
DRAWN: N.L.R.		
APPROVED: C.J.M.		

**CAUTION: CONTRACTOR TO WORK WITH EXTREME CAUTION WHILE WORKING NEAR AND AROUND UNDERGROUND CENTERPOINT ENERGY GAS LINE.**

**ANY CENTERPOINT ENERGY RELOCATION NECESSARY IS FULLY REIMBURSABLE TO CENTERPOINT ENERGY AND REQUIRES A MINIMUM TWO WEEK NOTICE.**

**ALL AREAS NOT UNDER FOOTPRINT OF BUILDINGS ARE HEREBY DESIGNATED AS COMMON AREA TO BE MAINTAINED BY HOME OWNERS ASSOCIATION.**

**NOTE: CONTRACTOR TO VERIFY ALL FLOWLINES OF EXISTING APPURTENANCES PRIOR TO START OF CONSTRUCTION. ANY DISCREPANCIES TO BE REPORTED TO ENGINEER IMMEDIATELY.**

K:\Sakal\cmt\30784050\4\PM\Private\Apr\EL\101.dwg 7/20/2006 11:57 PM DTD